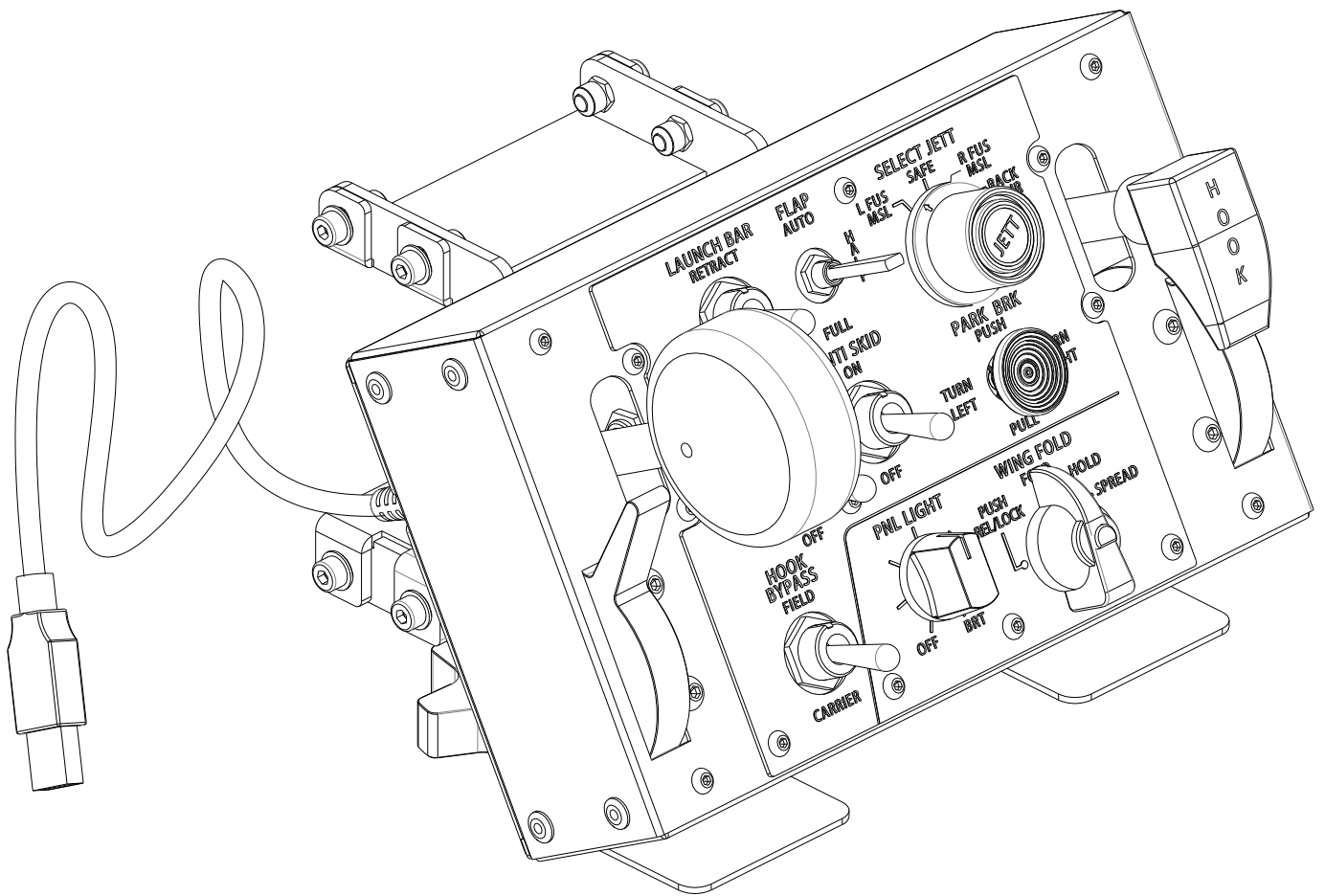


# PTO

## User manual V1.0 2020.10



# Contents :

1	Contents inside the box .....	1
2	Functions .....	2
2.1	Display Function .....	2
2.2	Bottom Function .....	2
3	Dimensions.....	3
4	Mounting method.....	3
4.1	Desktop .....	3
4.2	Clipper .....	4
4.3	Independent Mounting.....	4
4.4	Mounting.....	4
5	Installation.....	5
5.1	Desktop mounting .....	5
5.2	Desktop clipper mount.....	6
5.3	Panel assembly instruction.....	8
5.4	Attach the panel to mount.....	10

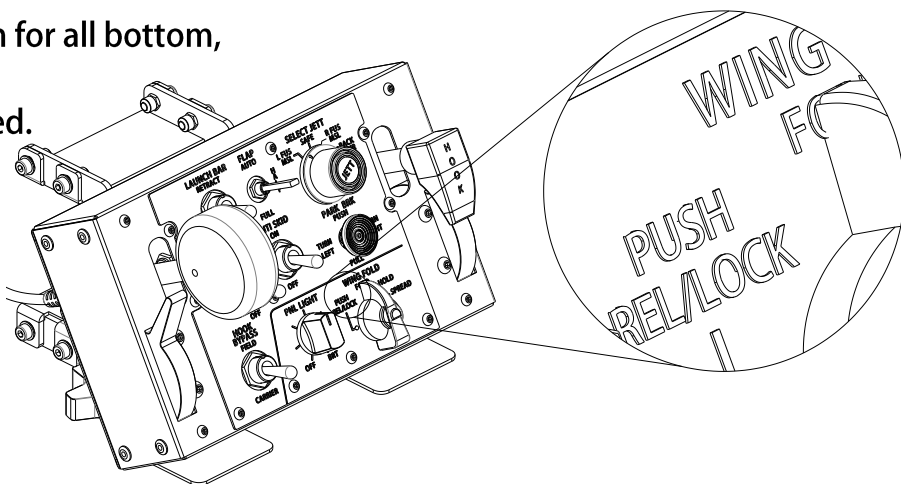
# 1 Contents inside the box

① PTO panel with 6 feet wire	1
② Mount	1
(4 types of desk mount in parts)	
Mount is not yet assemble, refer to part 5 for assembly instruction	
③ Screw bag 1	1
(M4*14 screw X 8, M4 plate X8 Flat M4*9*1 X 8, Normal Nut M4 X 8 )	
④ Screw bag 2	1
(M5*10 X2, M5*16 X4, M5 plate X 4 Flat M5*10*1 X6, Normal Nut M5 X 4)	
⑤ Tool bag	1
(4mm allen wrench X1, 3mm Allen Wrench X 1, 7mm Wrench X1, 8mm Wrench X 1,17mm Wrench X 1)	
⑥ Big Screw X1	1
⑦ Glue tape	1
⑧ Instruction manual	1

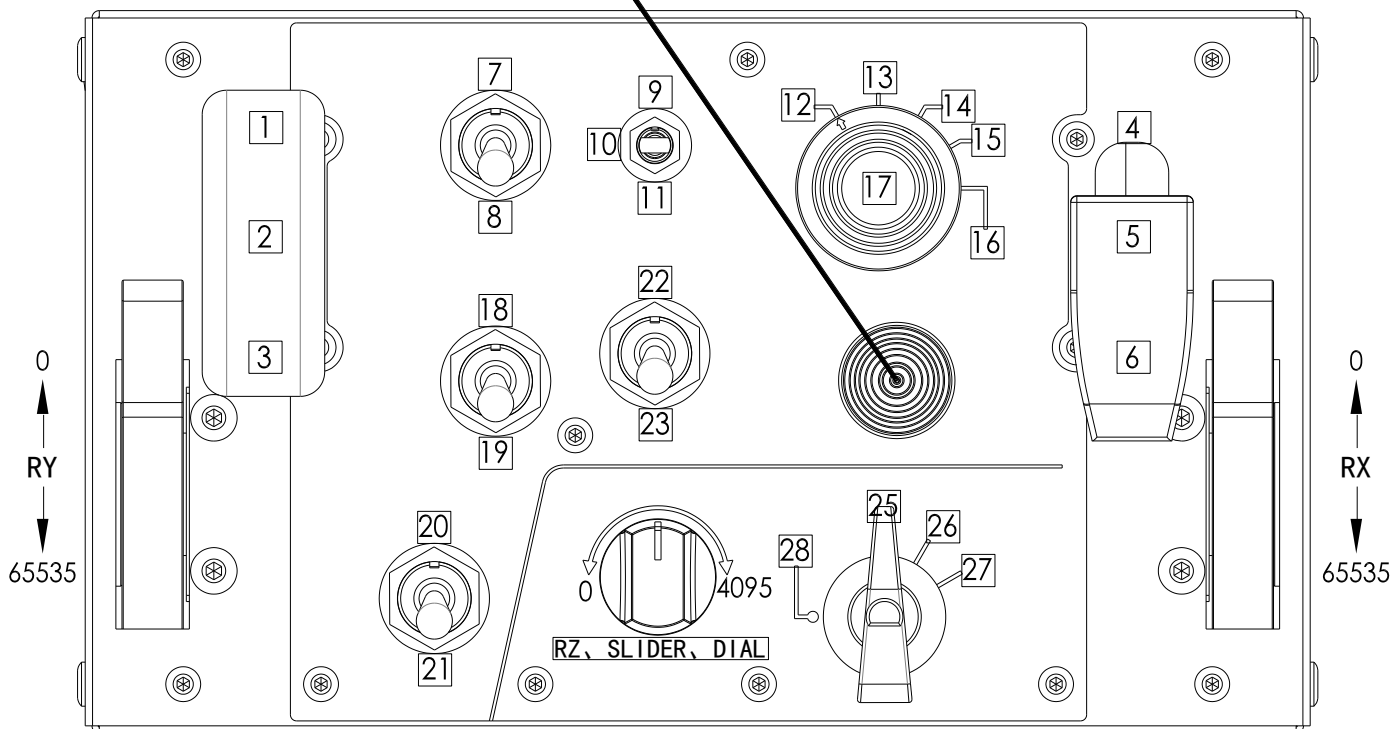
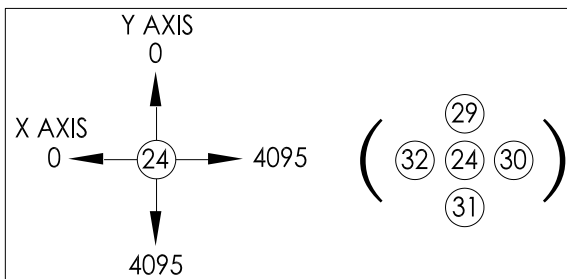
## 2 Functions

### 2.1 Display Function

1. Panel has a backlight function for all bottom,
2. The brightness can be adjusted.

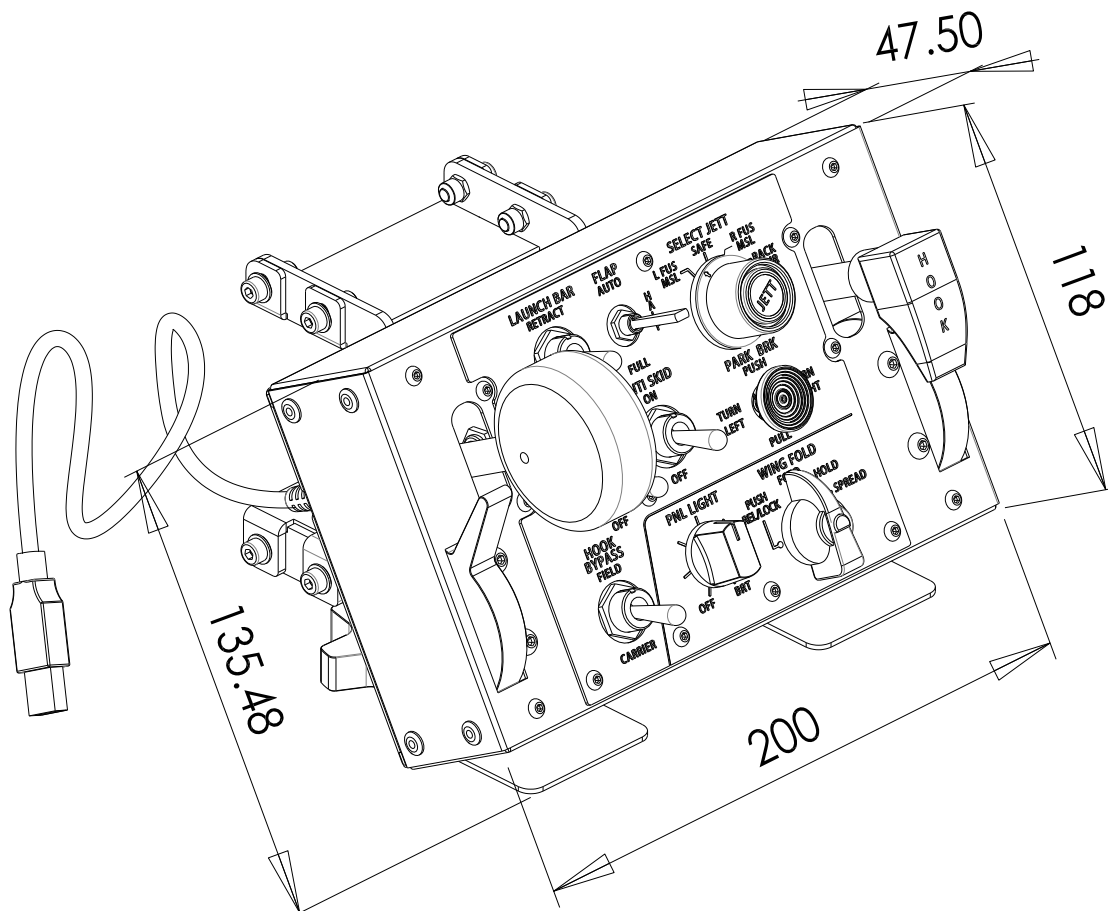


### 2.2 Bottom Function



1. All switch on the panel can be used for binding

### 3 Dimensions



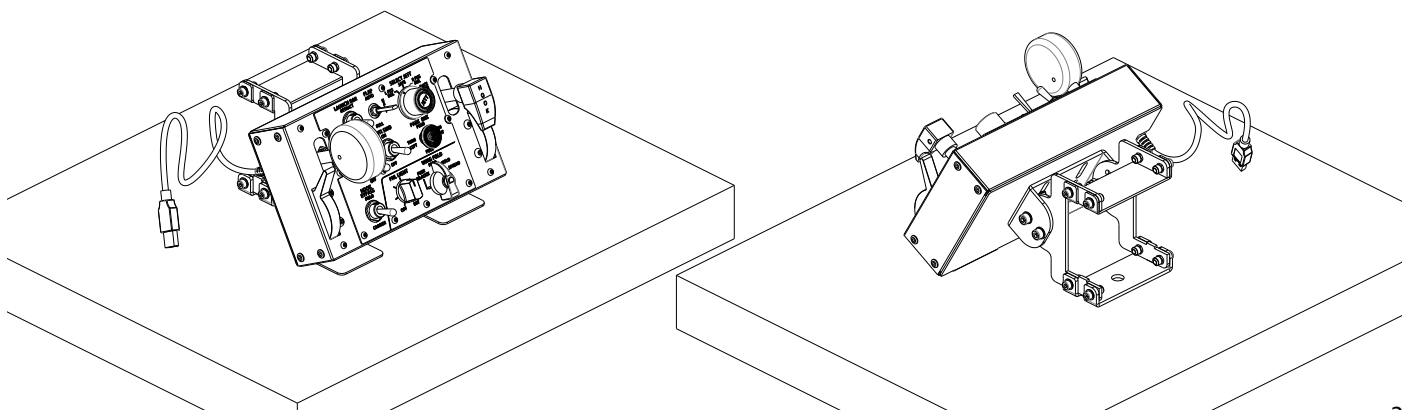
Product dimension

200mm\*118mm\*47.5mm ;

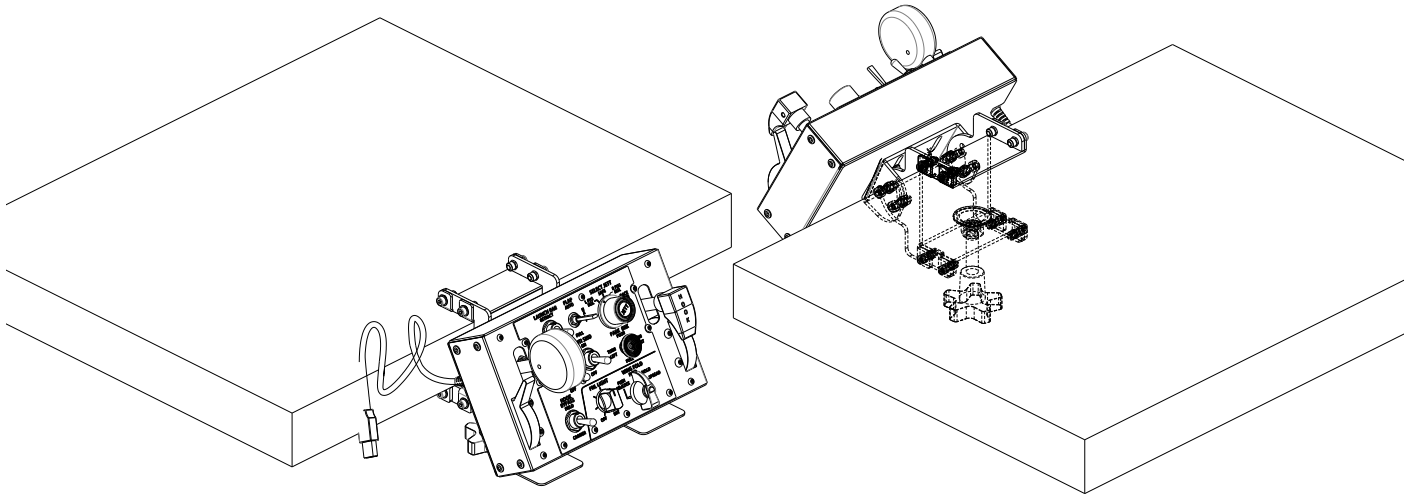
Weight about 2.8Lb

### 4 Mounting method

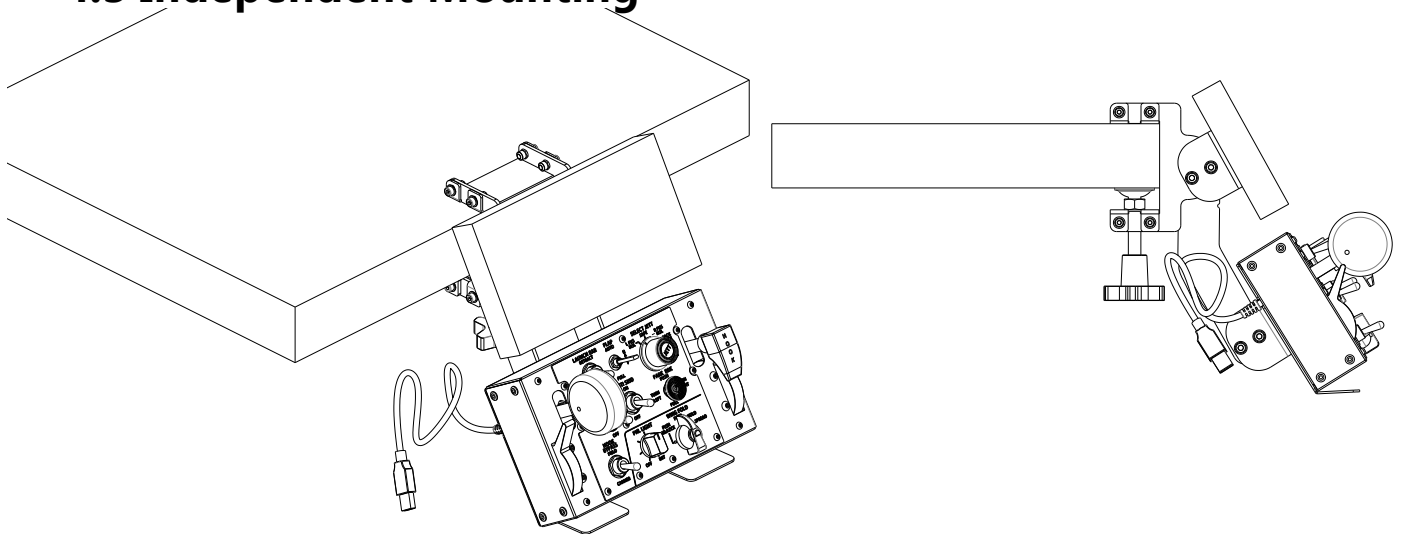
#### 4.1 Desktop



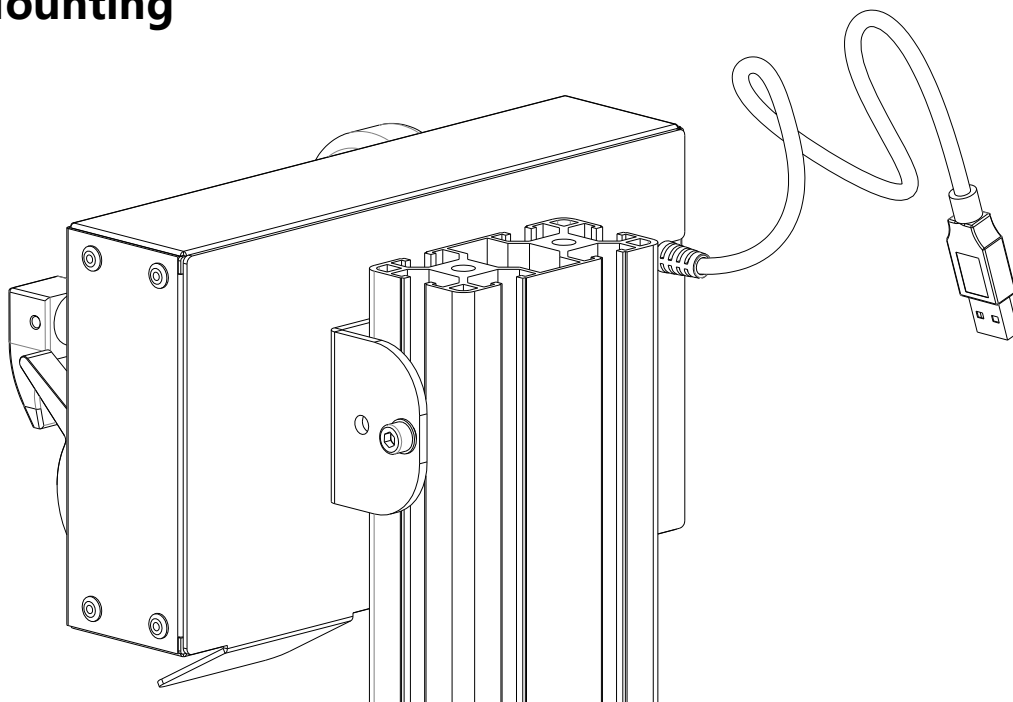
## 4.2 Clipper



## 4.3 Independent Mounting



## 4.4 Mounting



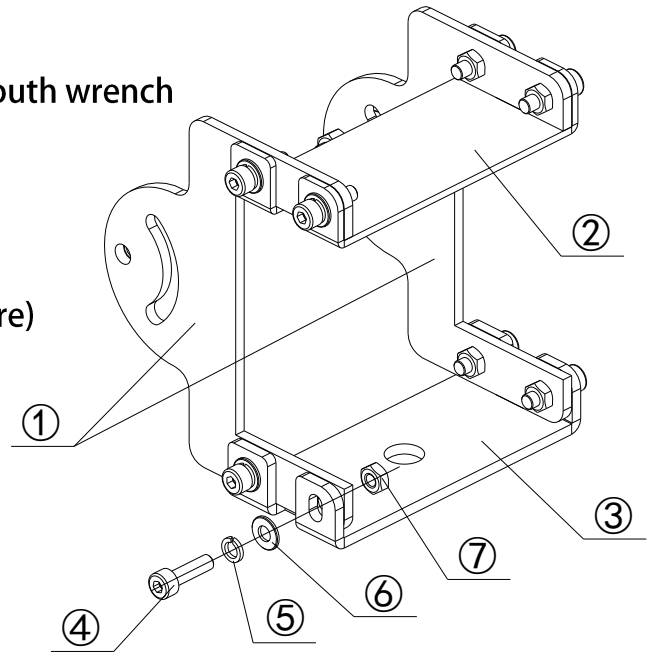
# 5 Installation

## 5.1 Desktop mounting

1. Assemble the mount like shown in the picture

by using 3mm Allen wrench and 7mm open- mouth wrench

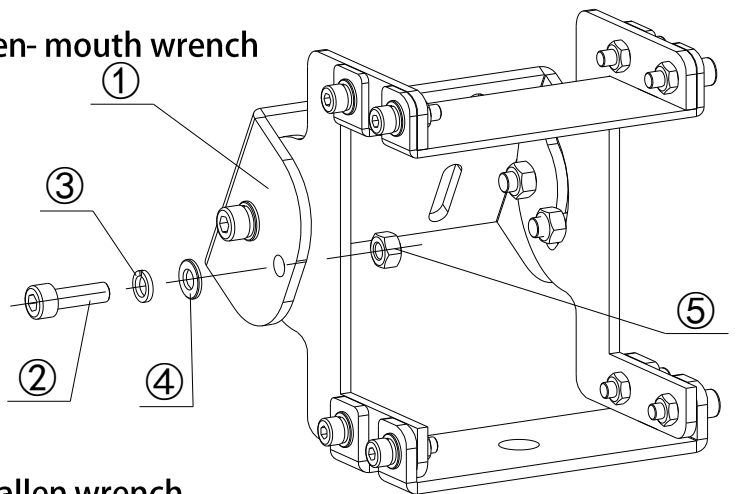
- ① Mount #2 X 2
- ② Mount #3 X 1
- ③ Mount #4 X 1 (Assemble like shown in picture)
- ④ Screw M4\*14 X 8
- ⑤ M4 Plate X 8
- ⑥ Flat M4\*9\*1 X 8
- ⑦ Normal Nut M4 X 8



2. Assemble the amount like shown in the picture

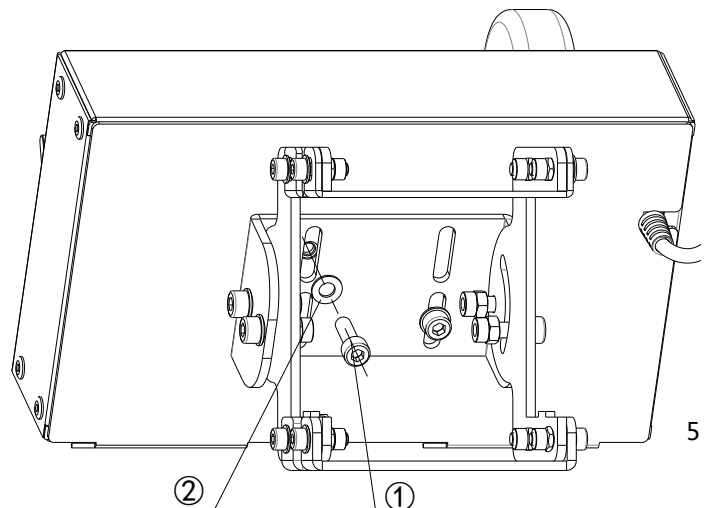
by using 4mm Allen wrench and 8mm open- mouth wrench

- ① Mount # 1 X 1
- ② Screw M5\*16 X 4
- ③ M5 Plate X 4
- ④ Flat M5\*10\*1 X 4
- ⑤ Normal Nut M5 X 4



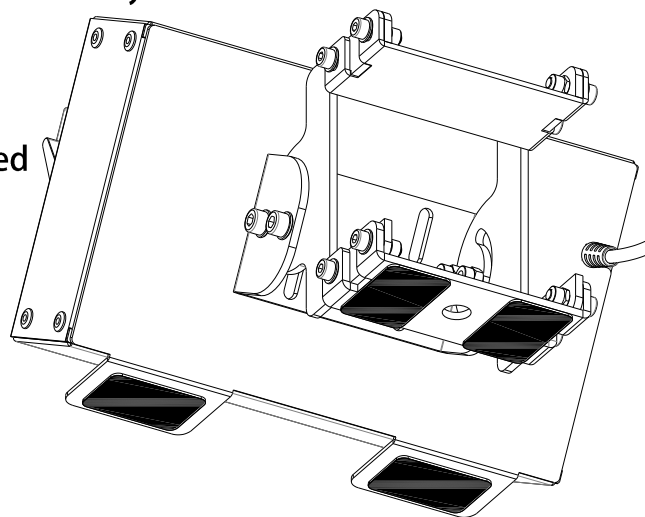
3. Attach the panel to the mount with 4mm allen wrench

- ① Screw M5\*10 X 2
- ② Flat M5\*10\*1 X 8



4. Attach the double side tape in the shade area, stand firmly on the desk.

- ① Clean the table surface for better adhesive.
- ② Double tape can be cut to the shape you need
- ③ For reuse the tape, wash with clean water, dry it up and re attach.

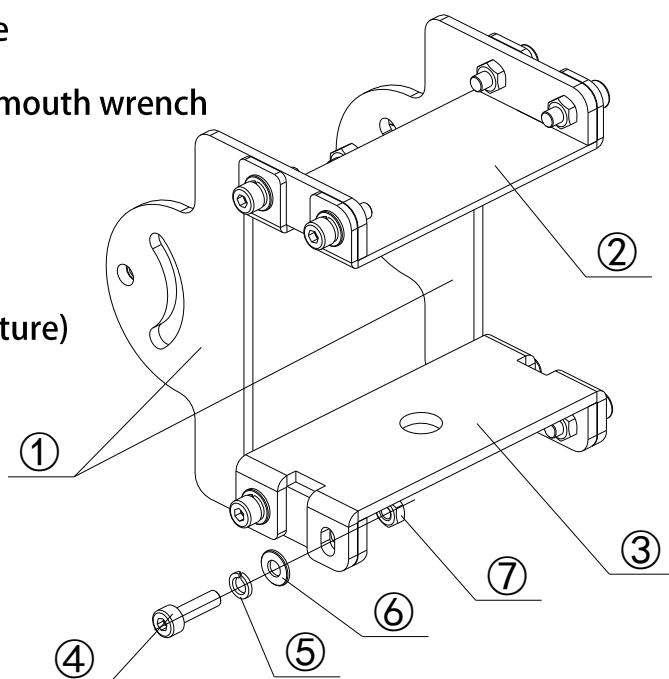


## 5.2 Desktop clipper mount

1. Assemble the mount like shown in the picture

by using 3mm Allen wrench and 7mm open- mouth wrench

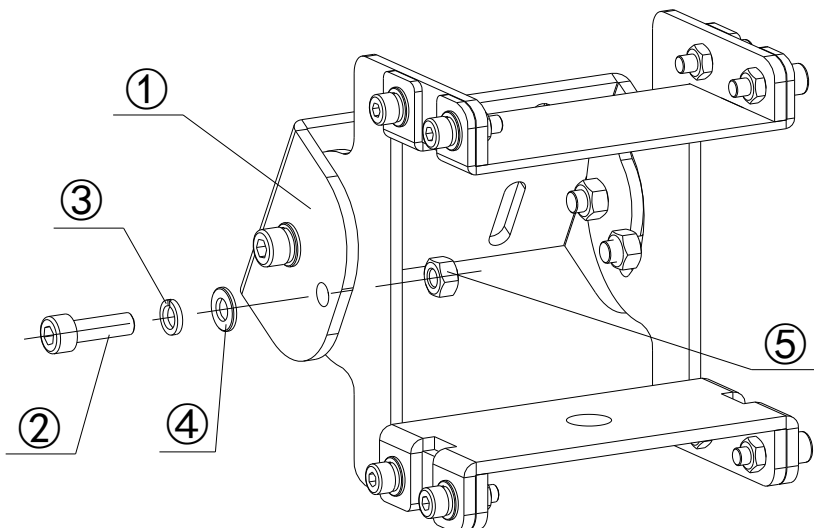
- ① Mount #2 X 2
- ② Mount #3 X 1
- ③ Mount #4 X 1 (Assemble like shown in picture)
- ④ Screw M4\*14 X 8
- ⑤ M4 Plate X 8
- ⑥ Flat M4\*9\*1 X 8
- ⑦ Normal Nut M4 X 8



2. Assemble the amount like shown in the picture

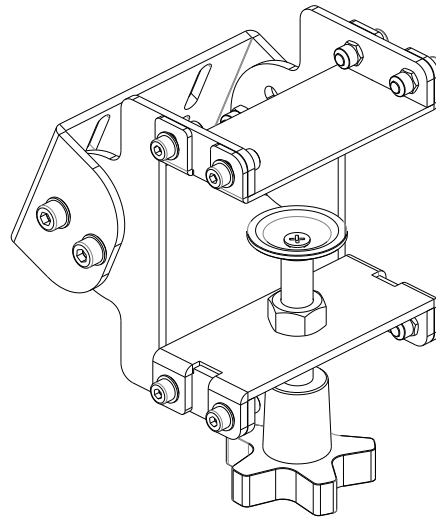
by using 4mm Allen wrench and 8mm open- mouth wrench

- ① Mount # 1 X 1
- ② Screw M5\*16 X 4
- ③ M5 Plate X 4
- ④ Flat M5\*10\*1 X 4
- ⑤ Normal Nut M5 X 4



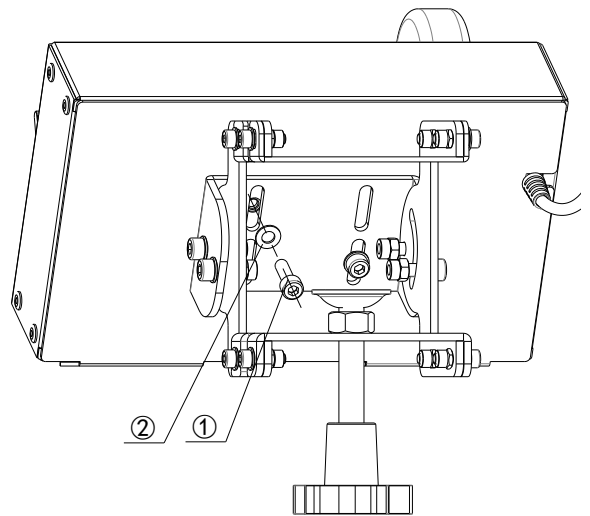


3. Install the twisting screw like the picture shown above with 4mm phillip screwdriver



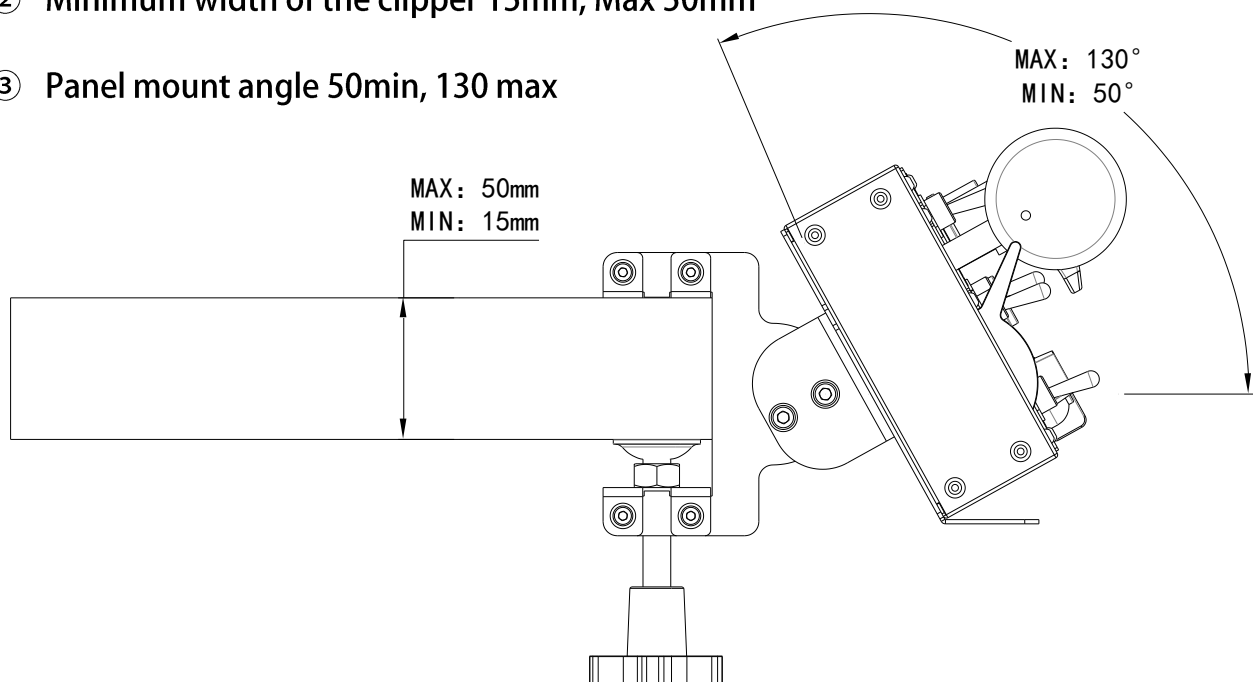
4. Assemble the mount as shown in picture above by using 4mm Hex wrench with

- ① Hex M5\*10 X 2
- ② Flat M5\*10\*1 X 2



5. Place the whole set with clipper to the edge of the desk

- ① Twist the screw to the position that equipment will stand firm, do not over-tighten it or it may cause damage to the mount.
- ② Minimum width of the clipper 15mm, Max 50mm
- ③ Panel mount angle 50min, 130 max

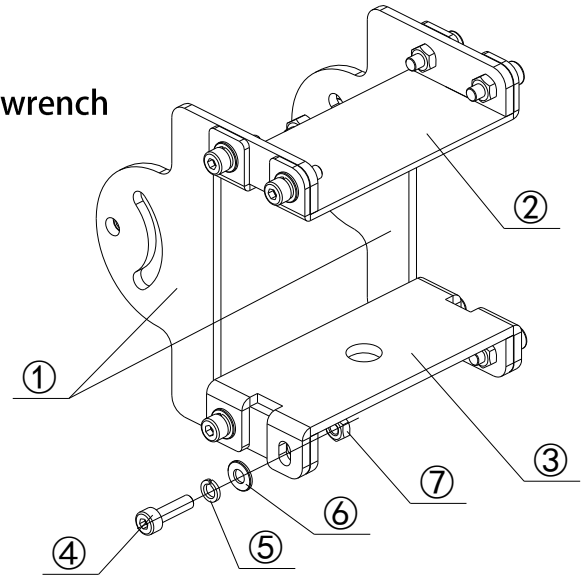


## 5.3 Panel assembly instruction

1. Assemble the mount like shown in the picture

by using 3mm Allen wrench and 7mm open- mouth wrench

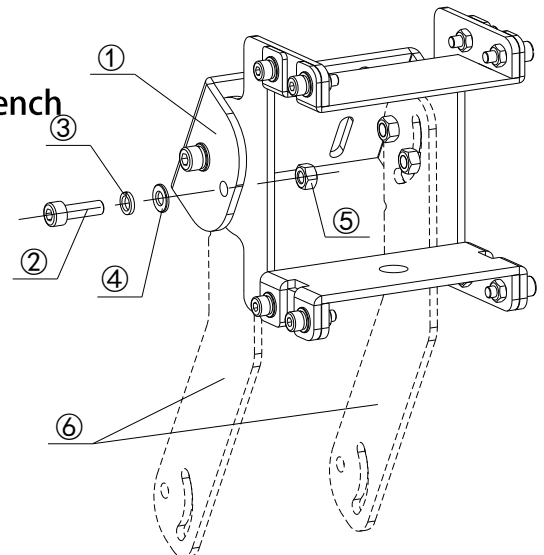
- ① Mount #2 X 2
- ② Mount #3 X 1
- ③ Mount #4 X 1 (Assemble like shown in picture)
- ④ Screw M4\*14 X 8
- ⑤ M4 Plate X 8
- ⑥ Flat M4\*9\*1 X 8
- ⑦ Normal Nut M4 X 8



2. Assemble the amount like shown in the picture

by using 4mm Allen wrench and 8mm open-mouth wrench

- ① Mount # 1 X 1
- ② Screw M5\*16 X 4
- ③ M5 Plate X 4
- ④ Flat M5\*10\*1 X 4
- ⑤ Normal Nut M5 X 4
- ⑥ Connection panel # 1 X 1



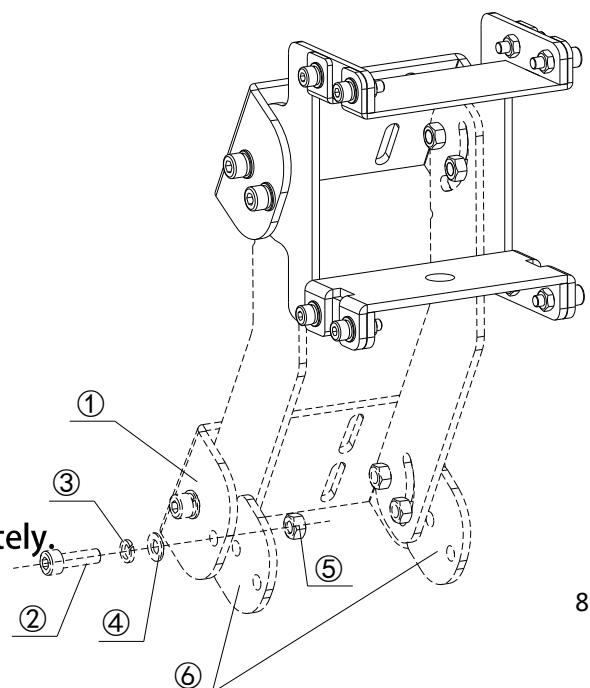
Connection panel # 1 is an optional part required purchase separately.

3. Assemble the set like the picture shown above

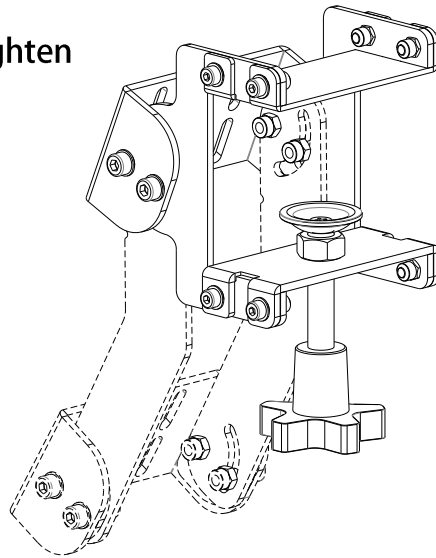
by using 4mm Philip and open-mouth wrench

- ① Mount 1-1 (not included)
- ② Screw M5\*16 X4 (not included)
- ③ M5 Plate X 4 (not included)
- ④ Flat M5\*10\*1 X4 (Not included)
- ⑤ Normal Nut M5 X 4 (Not included)
- ⑥ Connection panel 2 X 2

Connection panel 2 is required purchase separately.

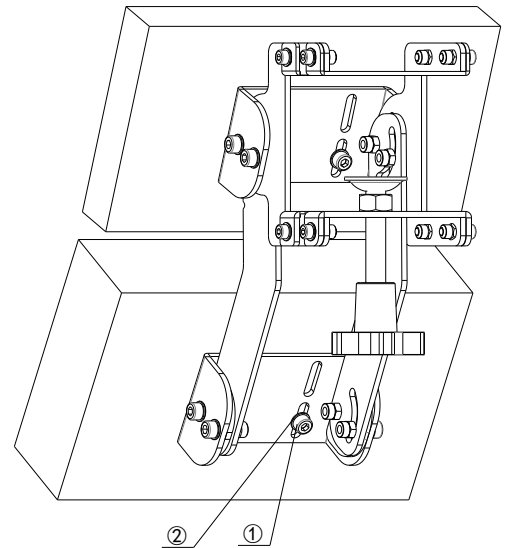


4. Using Hex 4mm wrench to tighten twist screw as picture above



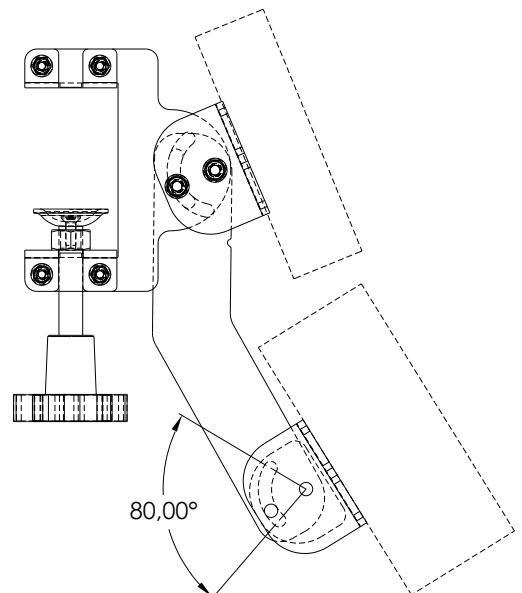
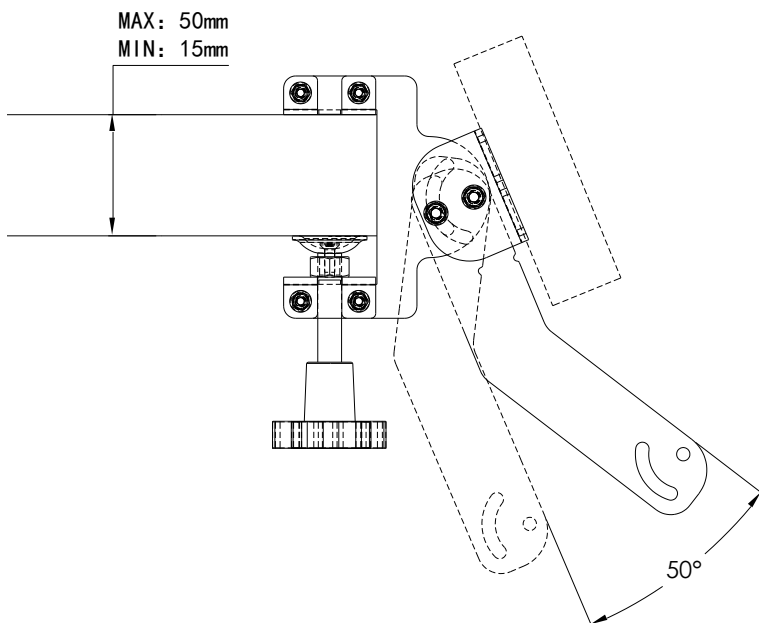
5. Assemble the mount as pictured above.

- ① Screw M5\*10 X2 (not included)
- ② Flat M5\*10\*1 (Not included)



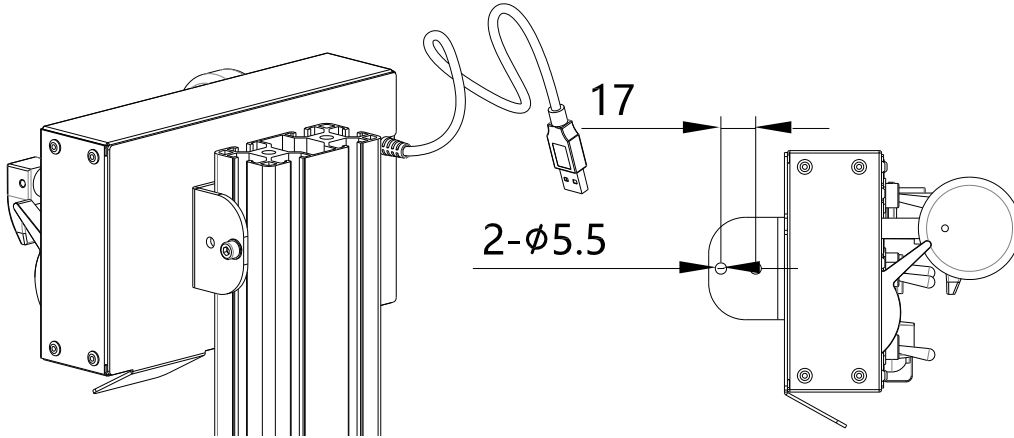
6. Place the whole set with clipper to the edge of the desk

- ① Twist the screw to the position that equipment will stand firm, do not over-tighten it or it may cause damage to the mount.
- ② Minimum width of the clipper 15mm, Max 50mm
- ③ Connection panel 1 adjustable angle is 50
- ④ Adjustable Angle between two connection panel is 80

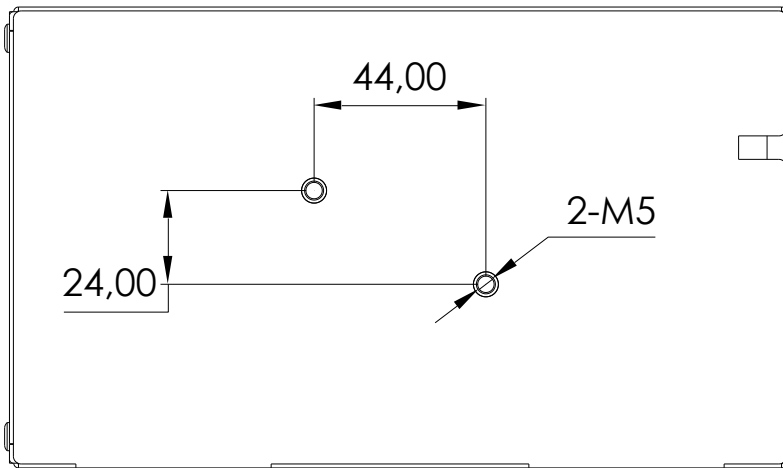


## 5.4 Attach the panel to mount

1. We have ready a 80MM set for you to attach to a mount.



2. The hole was punched as shown above



\* This is the final version. all other updates will be online.

成都翼胜科技有限责任公司

[WWW.WINWING.CN](http://WWW.WINWING.CN)

[INFO@WINWING.CN](mailto:INFO@WINWING.CN)

成都市郫都区现代工业港长生桥路 1111 号 19 栋